

Fig. 1

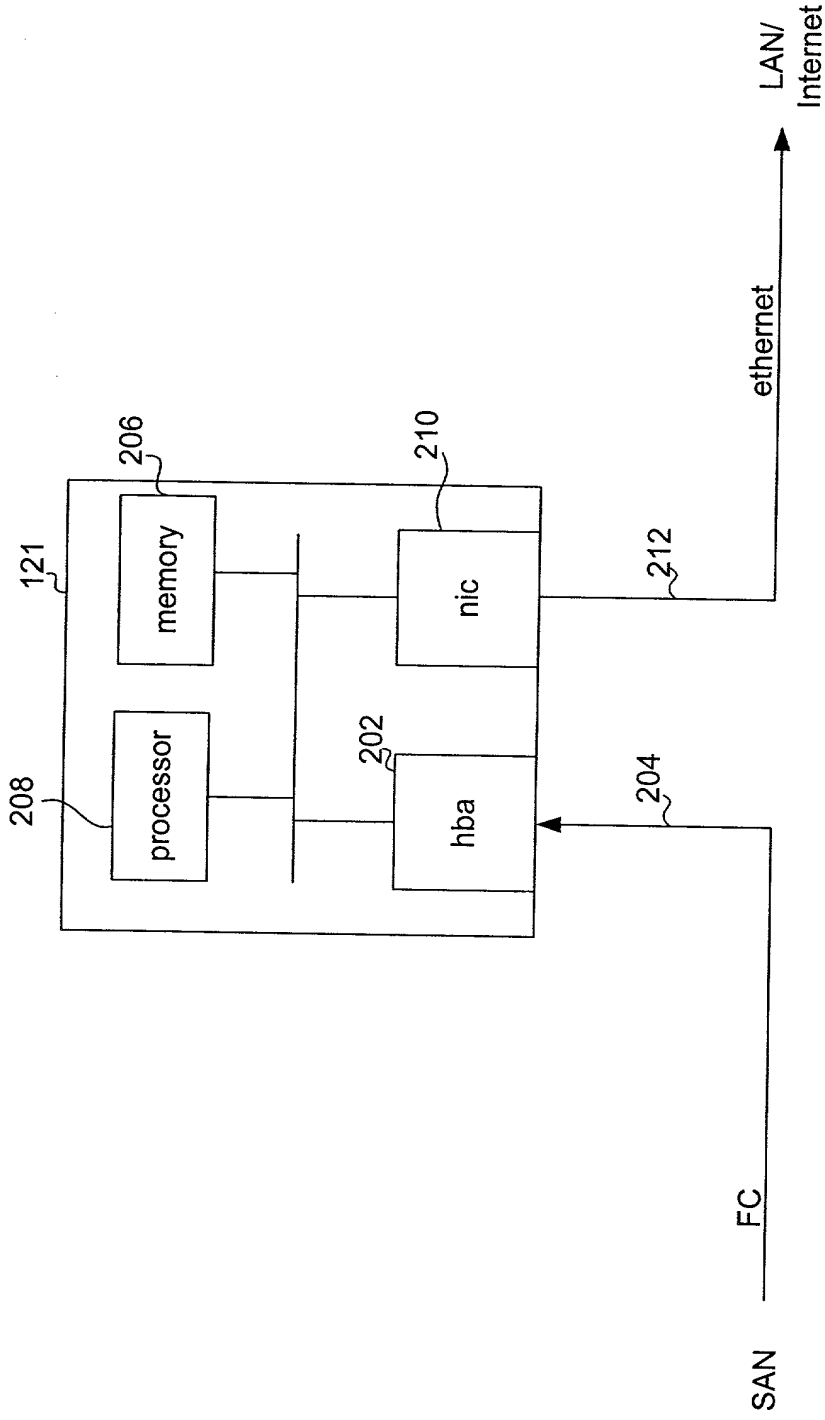


Fig. 2

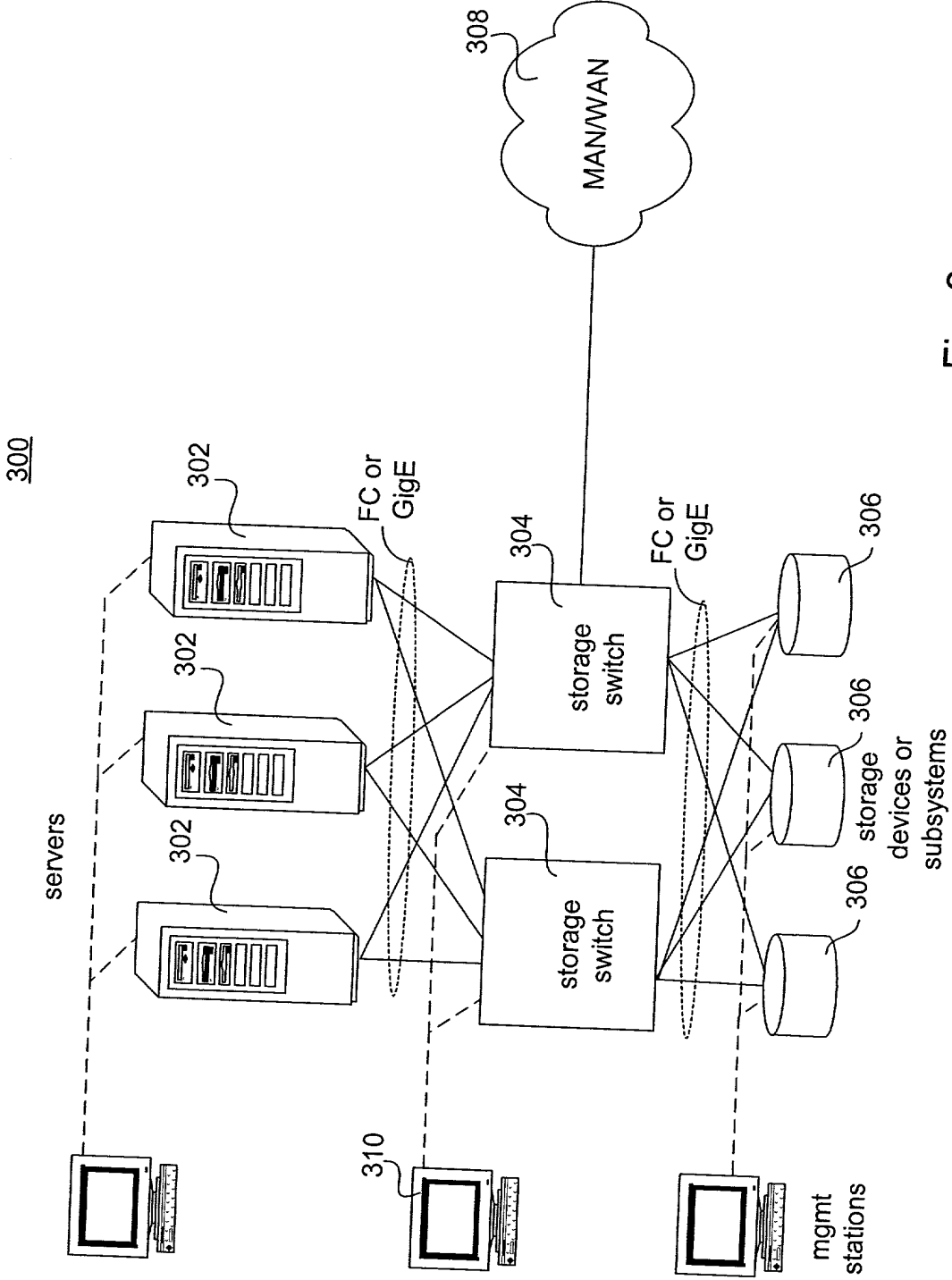


Fig. 3

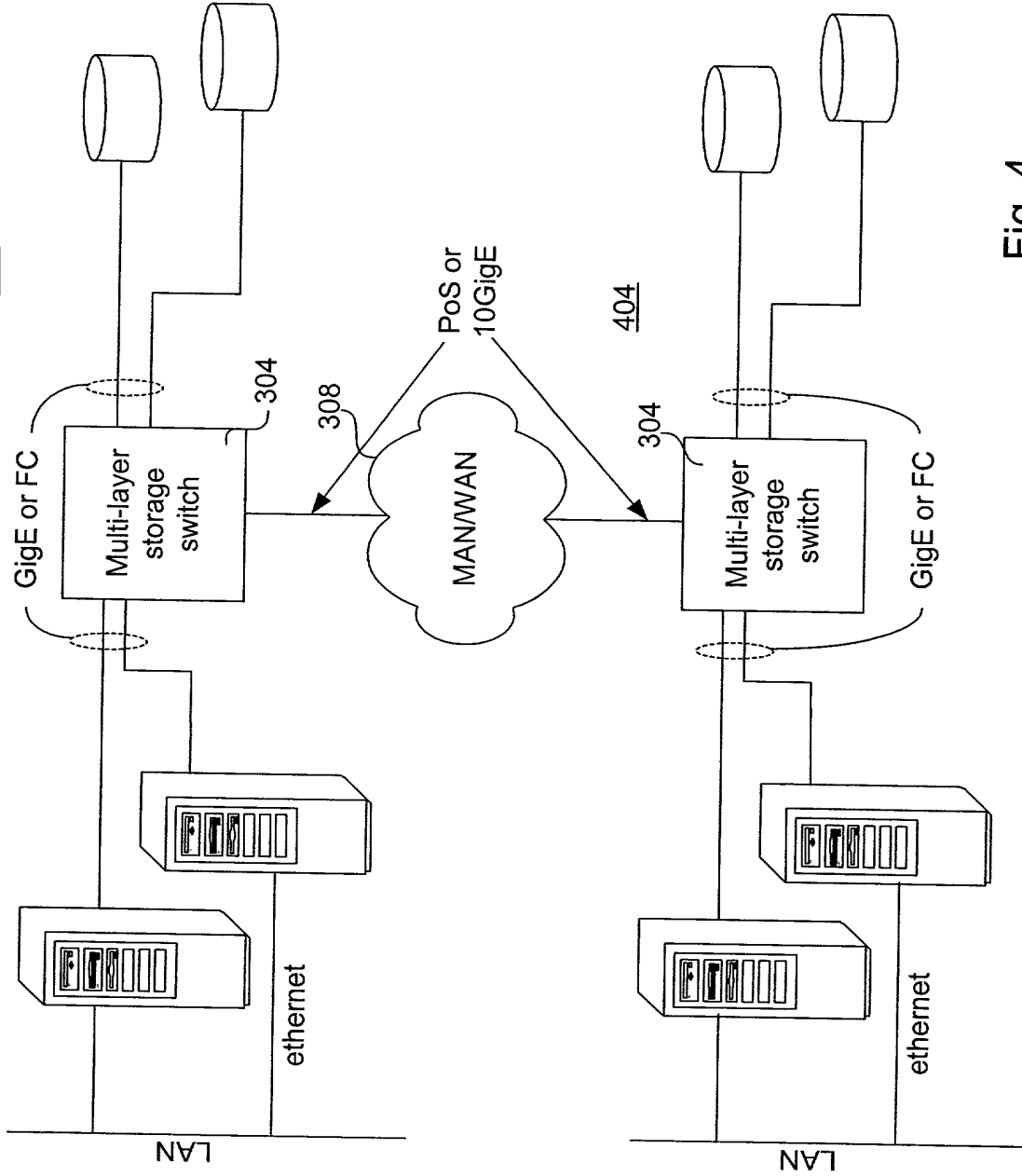


Fig. 4

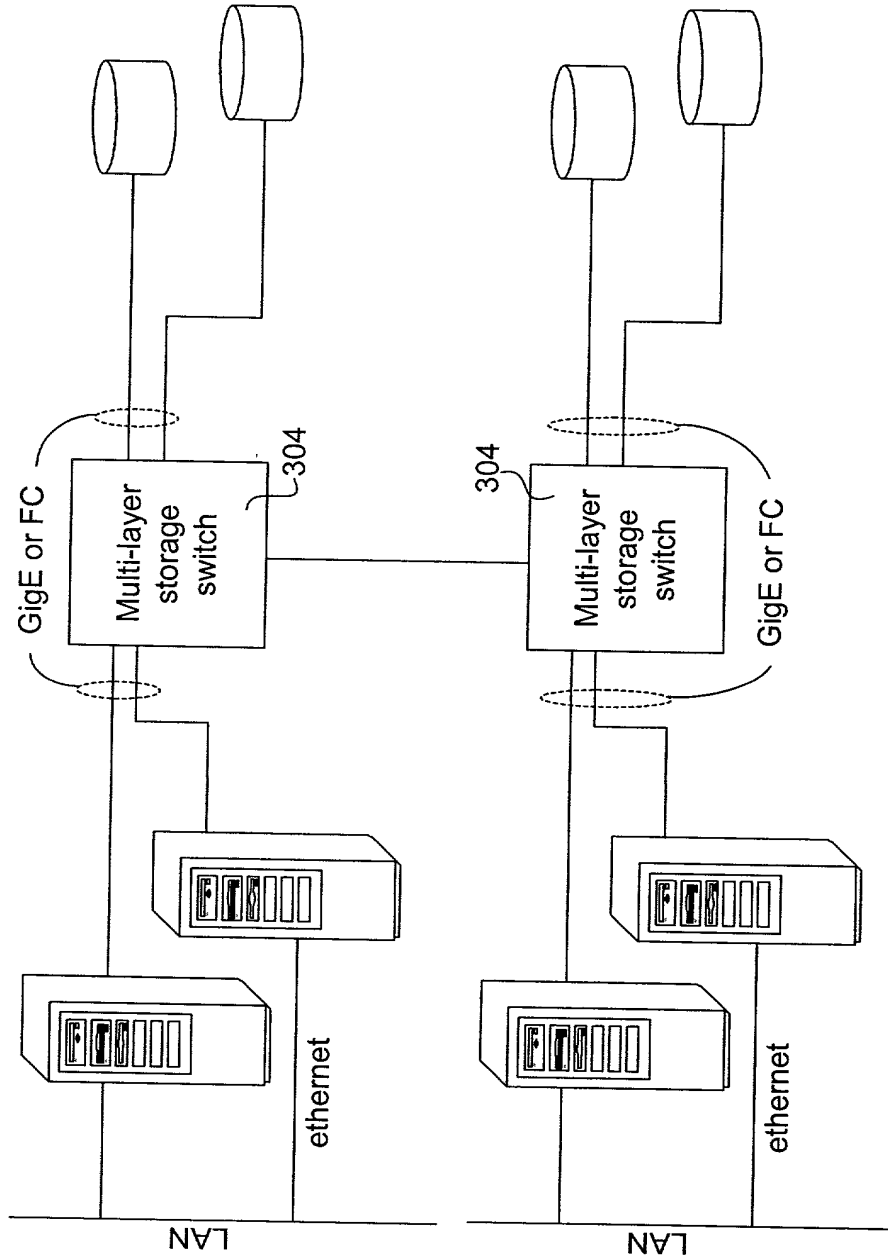


Fig. 5

304

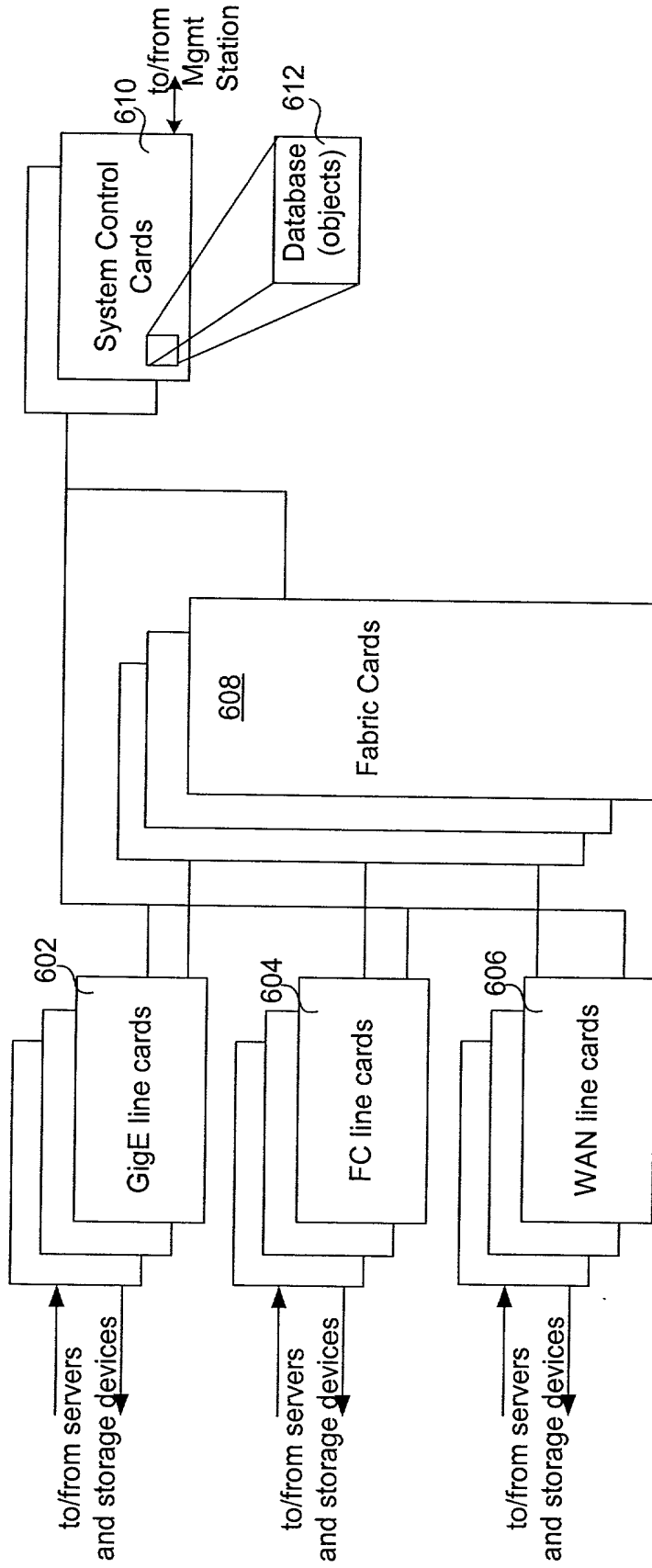


Fig. 6

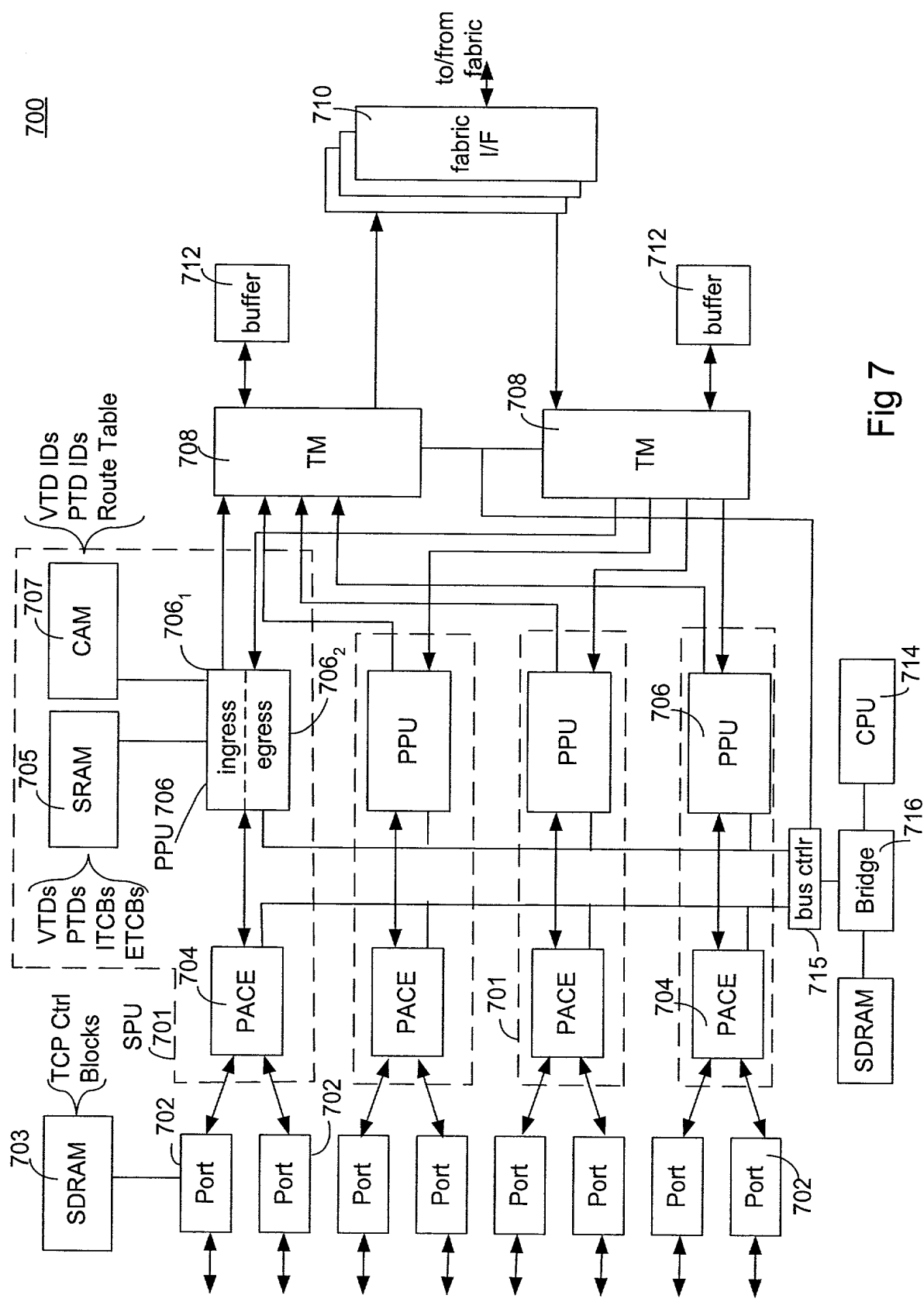
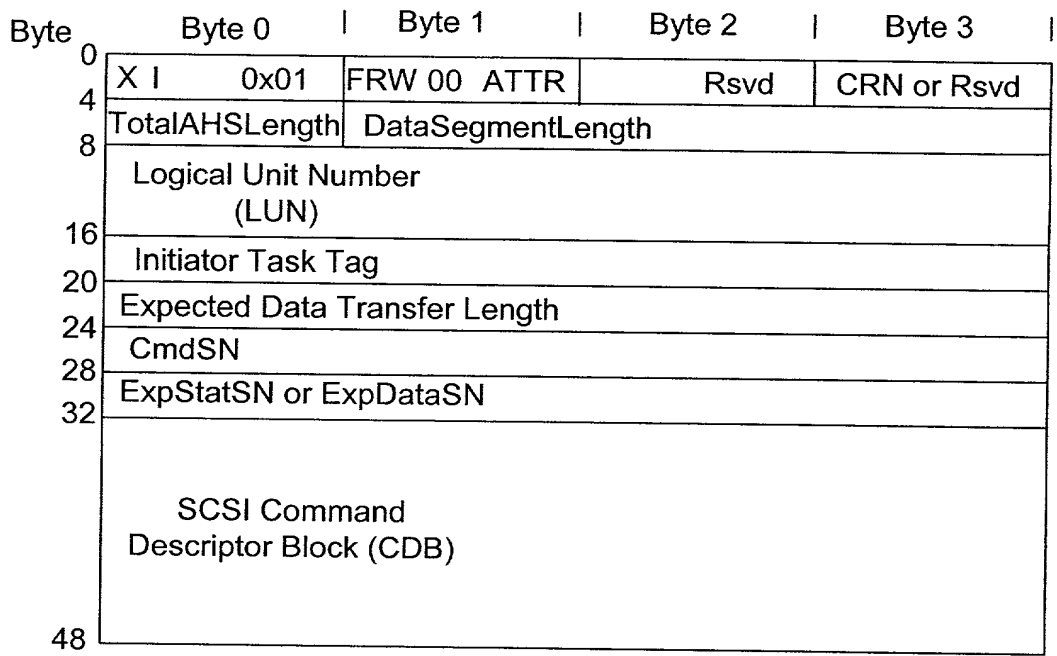


Fig 7

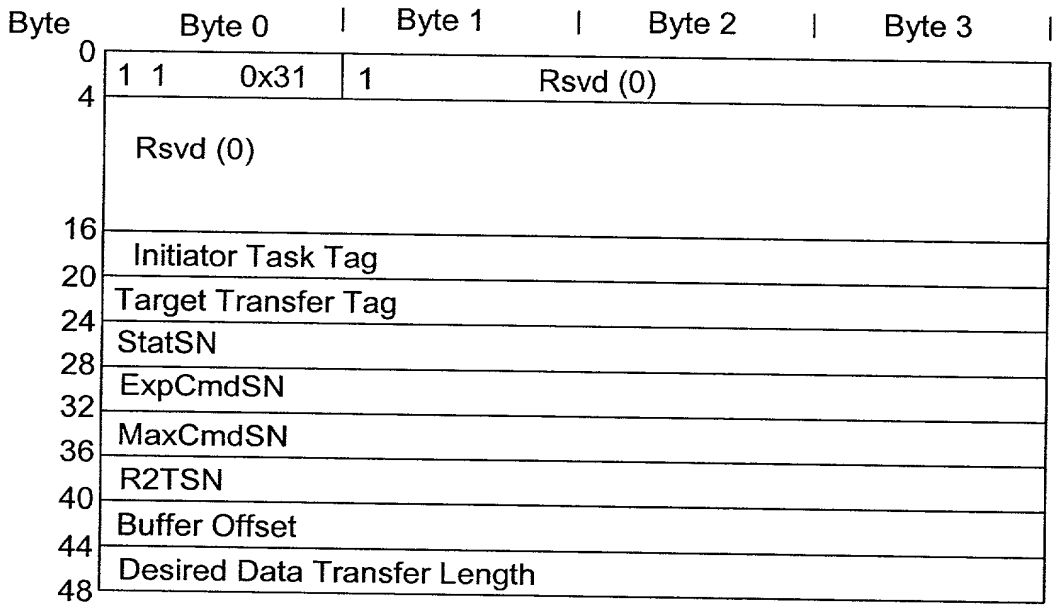
VTD

VTD ID
FlowID
Extent Descriptors (e.g., size, location)
of outstanding commands
Max # of commands
Response time
LUN
TCP control block index
S_ID/D_ID
MaxCmdSN
Total open sequences

Fig. 7a



iSCSI Command PDU
Fig. 8a



iSCSI R2T PDU
Fig. 8b

2025-11-19 10:54:45 AM

Byte	Byte 0	Byte 1	Byte 2	Byte 3
0	0 0	0x05	F	Rsvd (0)
4	Rsvd (0)		DataSegmentLength	
8	LUN or Reserved (0)			
16	Initiator Task Tag			
20	Target Transfer Tag or 0xffffffff			
24	Rsvd (0)			
28	ExpCmdSN			
32	Rsvd (0)			
36	DataSN			
40	Buffer Offset			
44	Rsvd (0)			
48	Data			

iSCSI Write Data PDU
Fig. 8c

Byte	Byte 0	Byte 1	Byte 2	Byte 3
0	1 1	0x25	F	O U S
4	Rsvd (0)		Rsvd (0)	Status or Rsvd
8	DataSegmentLength			
16	Rsvd (0)			
20	Initiator Task Tag			
24	Rsvd (0)			
28	StatSN or Rsvd (0)			
32	ExpCmdSN			
36	MaxCmdSN			
40	DataSN			
44	Buffer Offset			
48	Residual Count			
	Data			

iSCSI Read Data PDU
Fig. 8d

2025 RELEASE UNDER E.O. 14176

	Byte 0	Byte 1	Byte 2	Byte 3
0	1 1 0x21	1 rsv 0 u 0 u 0	Status	Response
4	Rsvd (0)		DataSegmentLength	
8	Rsvd (0)			
16	Initiator Task Tag			
20	Basic Residual count			
24	StatSN			
28	ExpCmdSN			
32	MaxCmdSN			
36	ExpDataSN or Rsvd (0)			
40	ExpR2TSN or Rsvd (0)			
44	Bidi-Read Residual Count			
48	Sense Data and Response Data (optional)			

iSCSI Response PDU
 Fig. 8e

EXHIBIT "A" FOR MARA-01001US0

Bits Word	31-24	23-16	15-08	07-00
0	R_CTL	D_ID		
1	rsvd	S_ID		
2	TYPE	F_CTL		
3	SEQ_ID	DF_CTL	SEQ_CNT	
4	OX_ID		RX_ID	
5	RLTV_OFF			

FC Frame Header

Fig. 8f

Field Name	Description	Size
FCP_LUN	logical unit number	8 bytes
FCP_CNTL	control field	4 bytes
FCP_CDB	SCSI command descriptor block	16 bytes
FCP_DL	Data Length	4 bytes

FCP_CMND Payload

Fig. 8g

2013 FOR SFTS

Field Name	Description	Size
DATA_RO	Relative offset of first byte of FCP_DATA IU that follows	4 bytes
BURST_LEN	length of FCP_DATA IU that follows	4 bytes
rsvd		4 bytes

FCP_XFR_RDY Payload

Fig. 8h

Field Name	Description	Size
rsvd		4 bytes
rsvd		4 bytes
FCP_STATUS	field validity and SCSI status	4 bytes
FCP_RESID	residual count	4 bytes
FCP_SNS_LEN	Length of FCP_SNS_INFO field	4 bytes
FCP_RSP_LEN	Length of FCP_RSP_INFO field	4 bytes
FCP_RSP_INFO	FCP response info	m bytes
FCP_SNS_INFO	FCP sense info	n bytes

FCP_RSP Payload

Fig. 8i

20251119 01:30:02

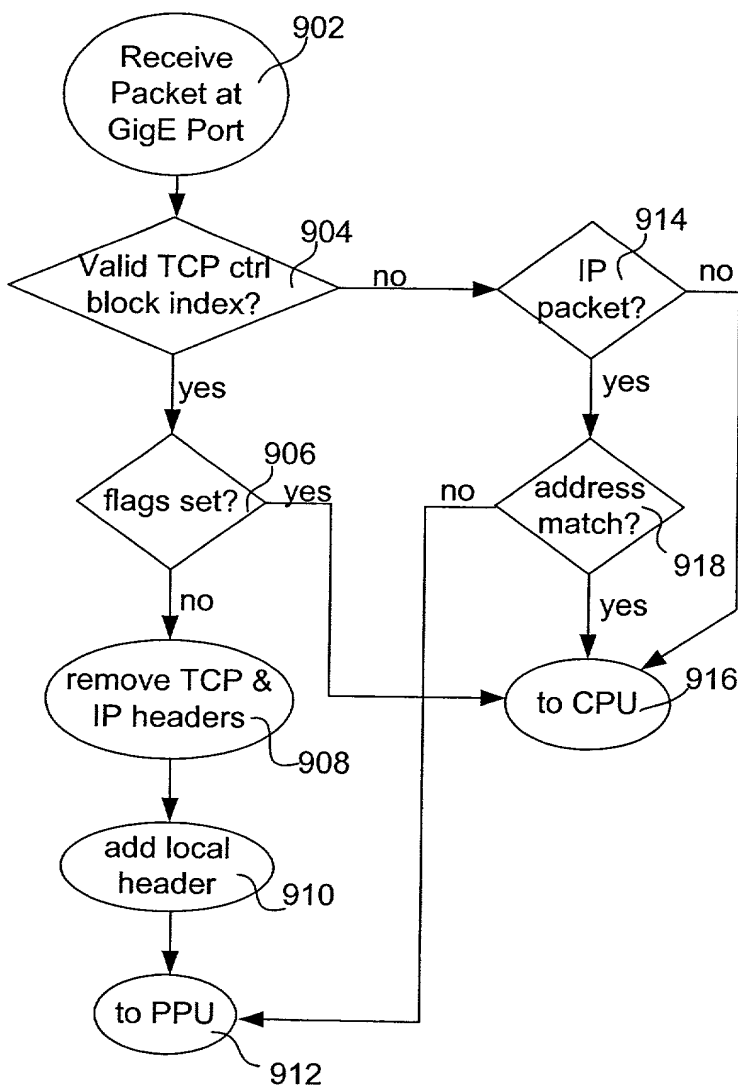


Fig 9a
 (Classification - PACE - iSCSI - ingress)

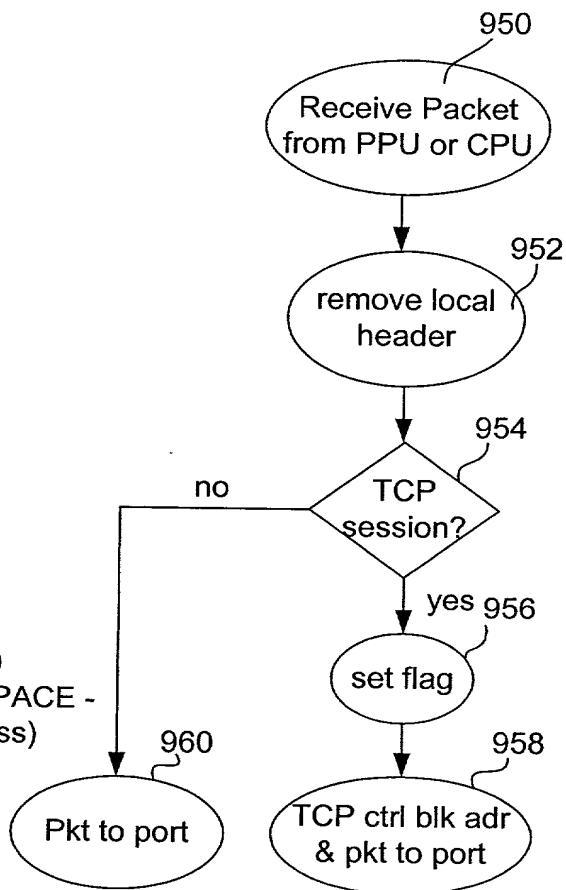


Fig 9b
 (Classification - PACE - iSCSI - egress)

20051415-01180F

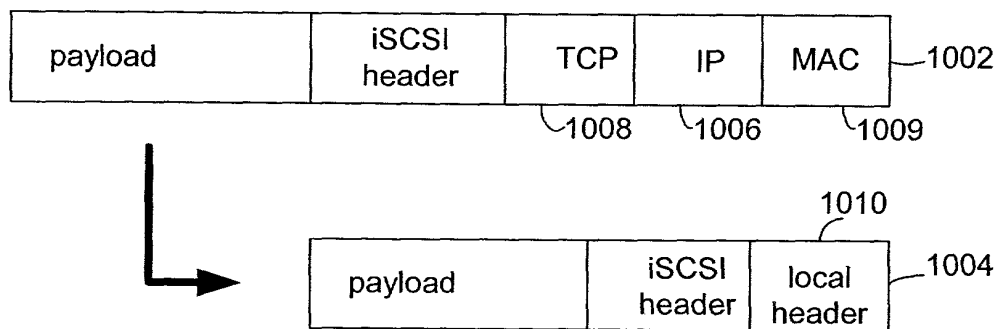


Fig. 10a

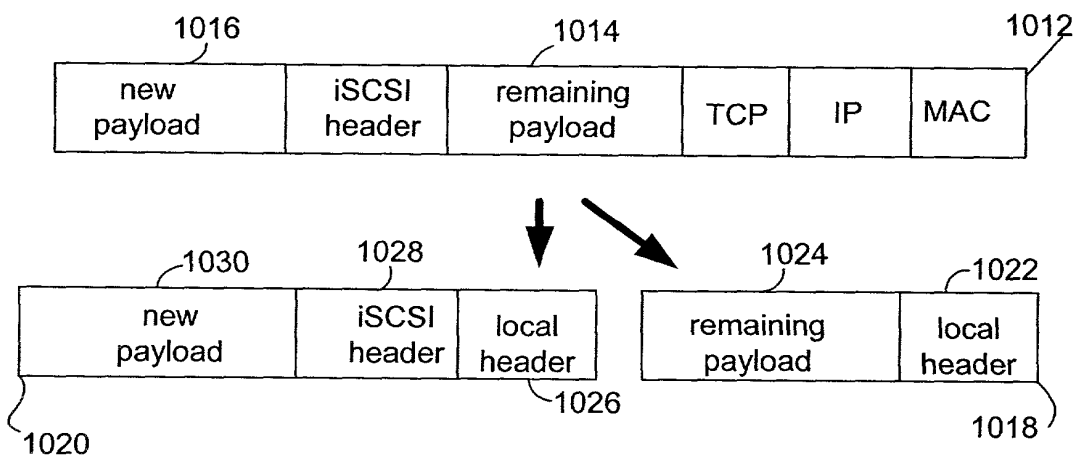


Fig. 10b

2025 RELEASE UNDER E.O. 14176

Local Header 1100

VTD ID
FlowID
TCP Control Block Index
Type
Size
Task Index
Source (Port, PACE, Linecard, CPU)
Destination (Port, PACE, Linecard, CPU)

Fig. 11

105445-01480

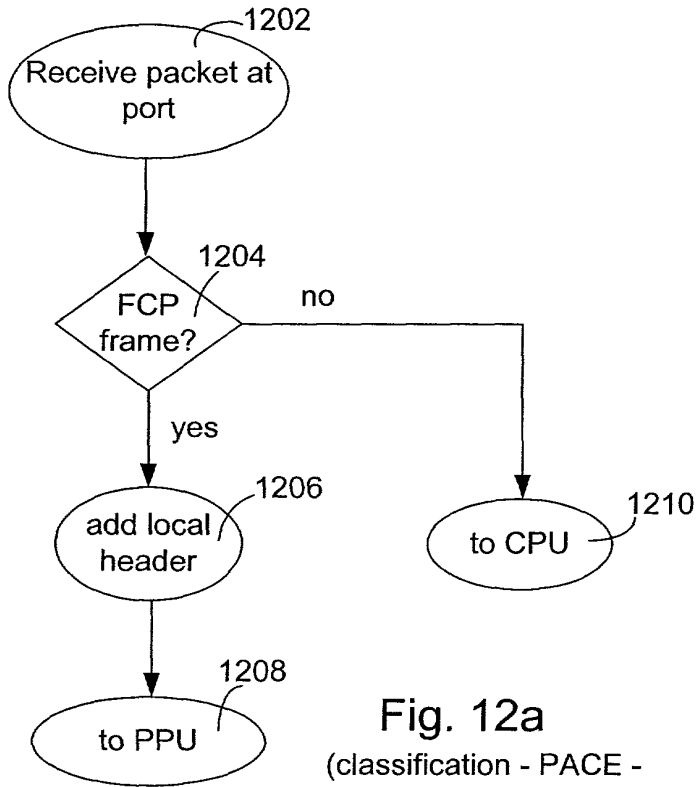


Fig. 12a
(classification - PACE - FCP - ingress)

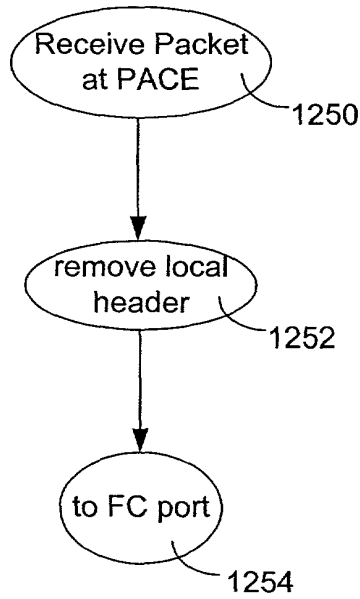


Fig. 12b
(classification - PACE - FCP - egress)

20251415-01808

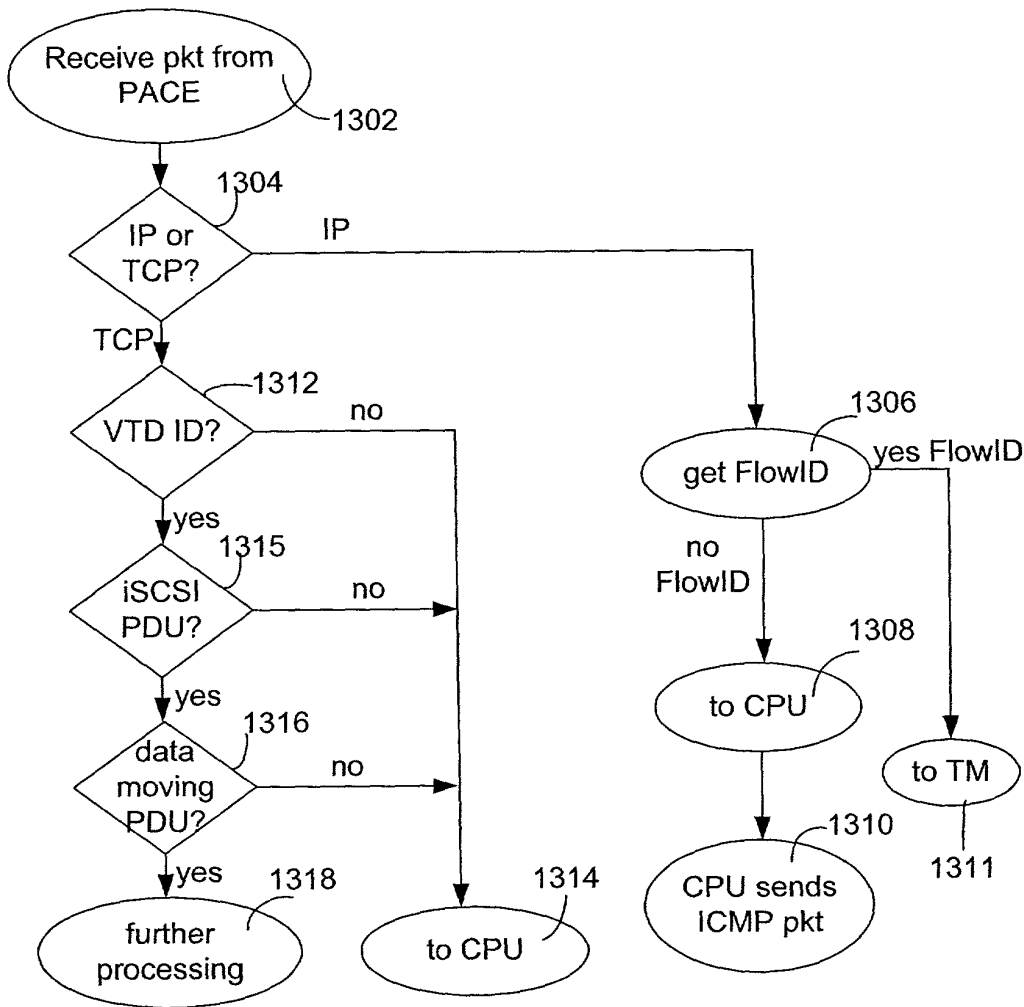


Fig. 13a
(Classification - PPU - ingress)

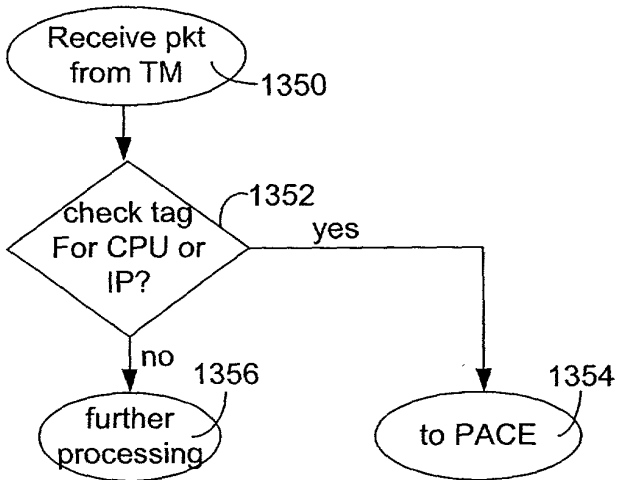


Fig. 13b
(Classification - PPU - egress)

2005445-01302

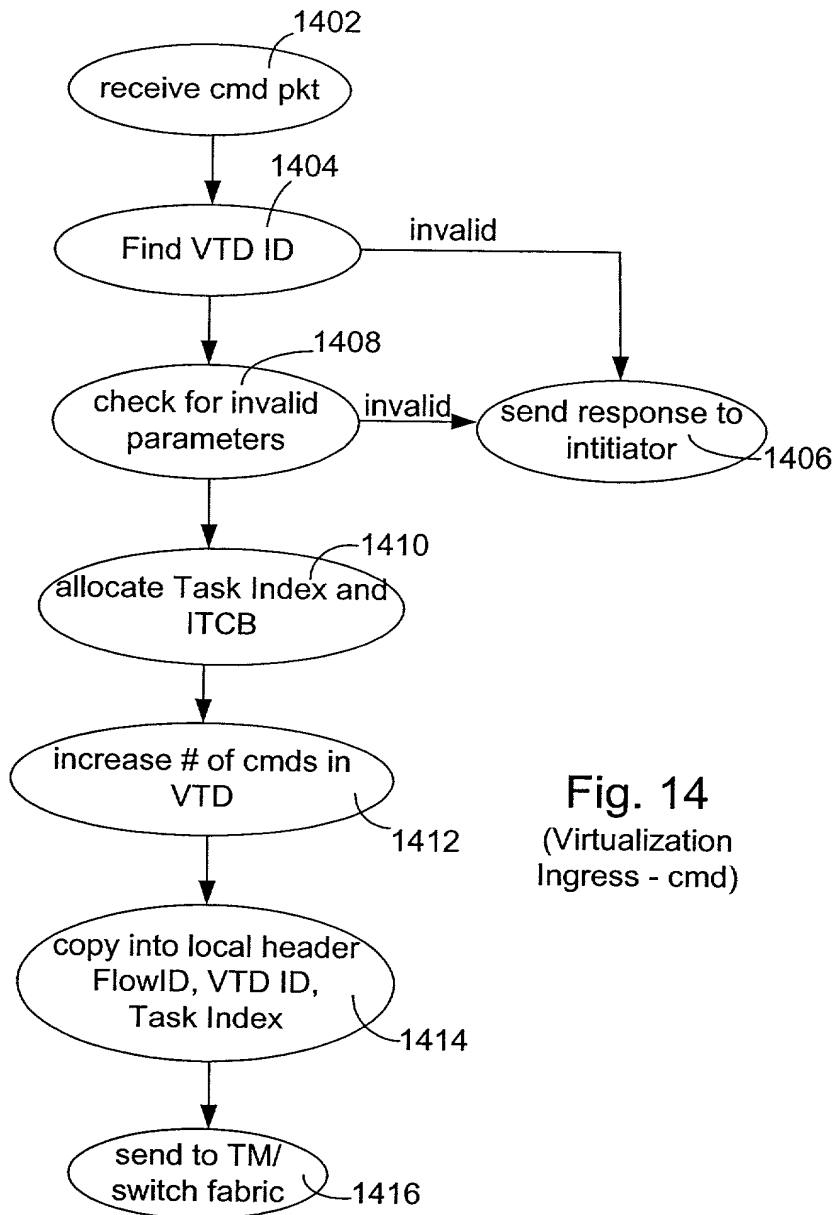


Fig. 14
(Virtualization Ingress - cmd)

1005445-01-FIG. 14

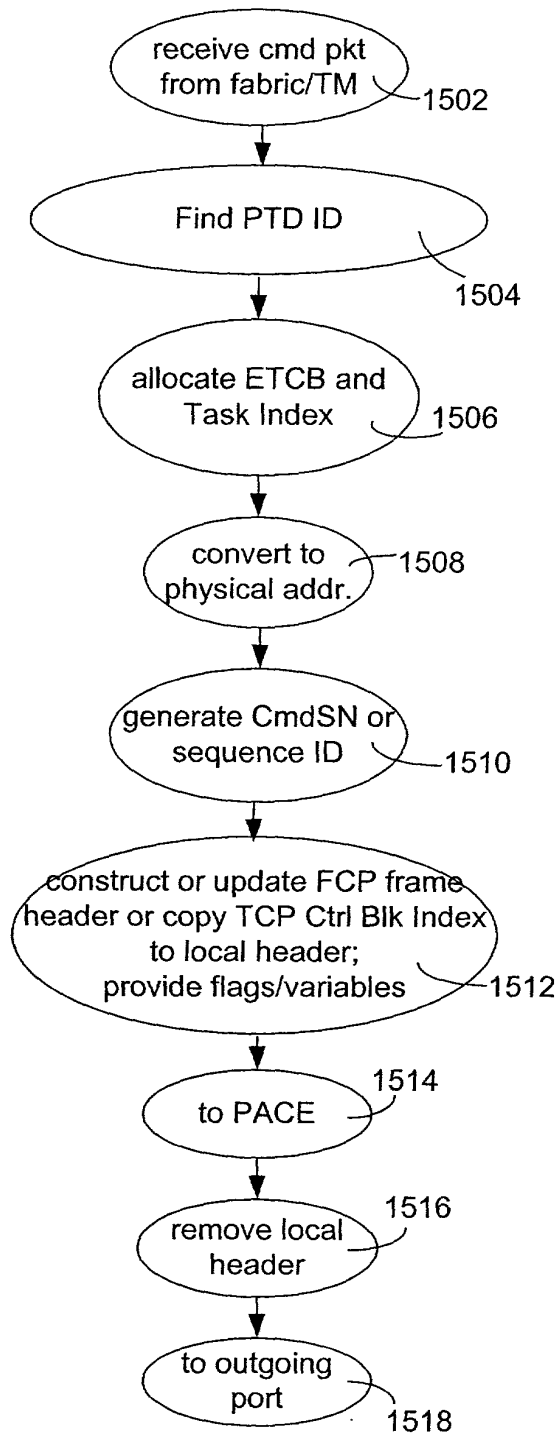
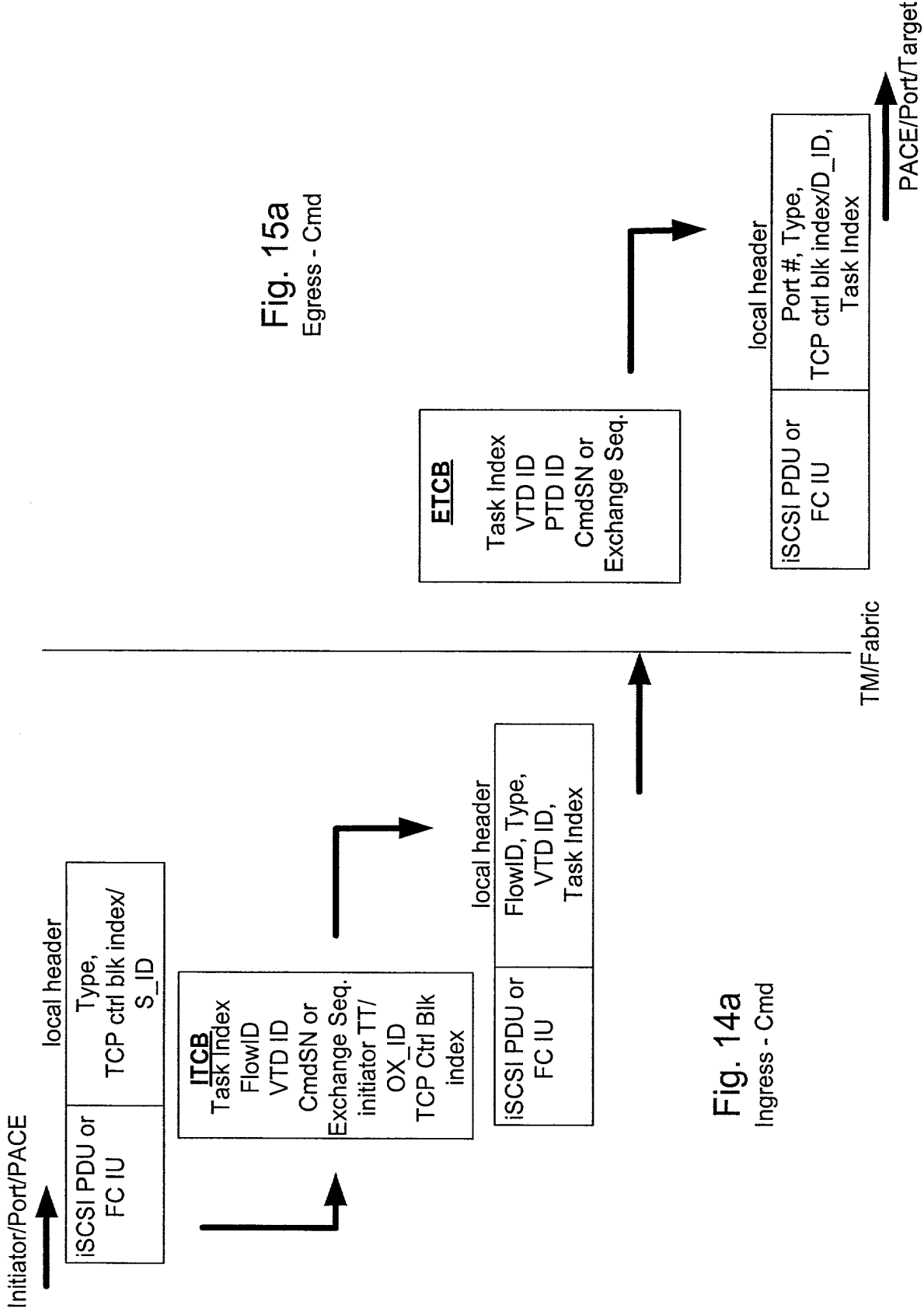


Fig. 15
(Virtualization -
Egress - cmd)

405445-01B02



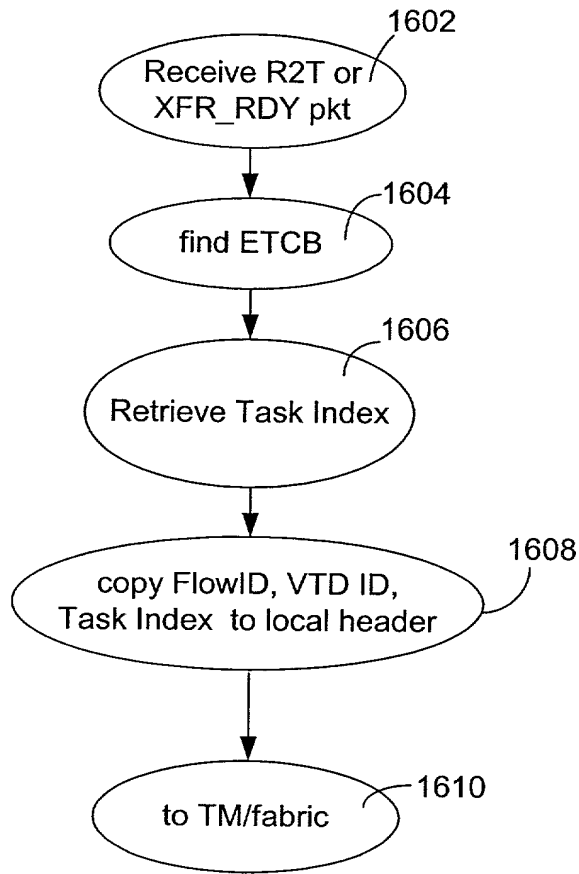


Fig. 16
(Virtualization - Ingress - R2T/XFR_RDY)

20250409 09:45:00

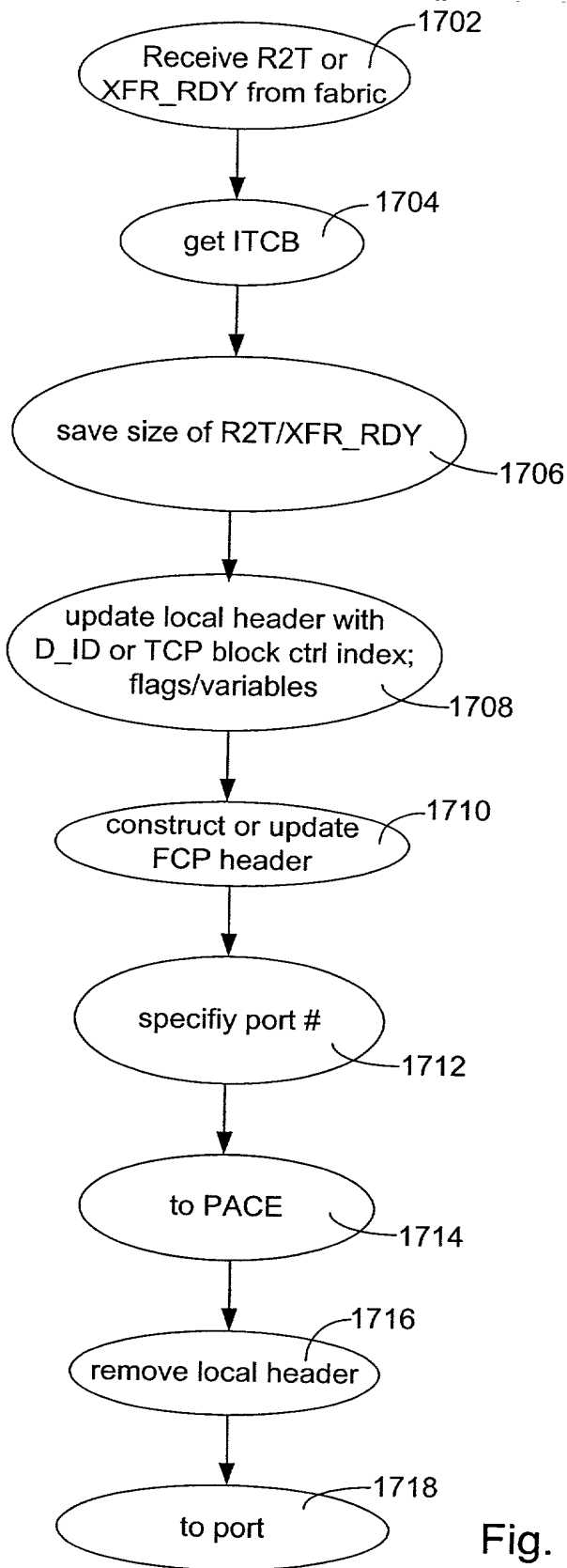


Fig. 17
(Virtualization - Egress - R2T/XFR_RDY)

405445-01490

Fig. 17a
 Egress - R2T/XFR_RDY

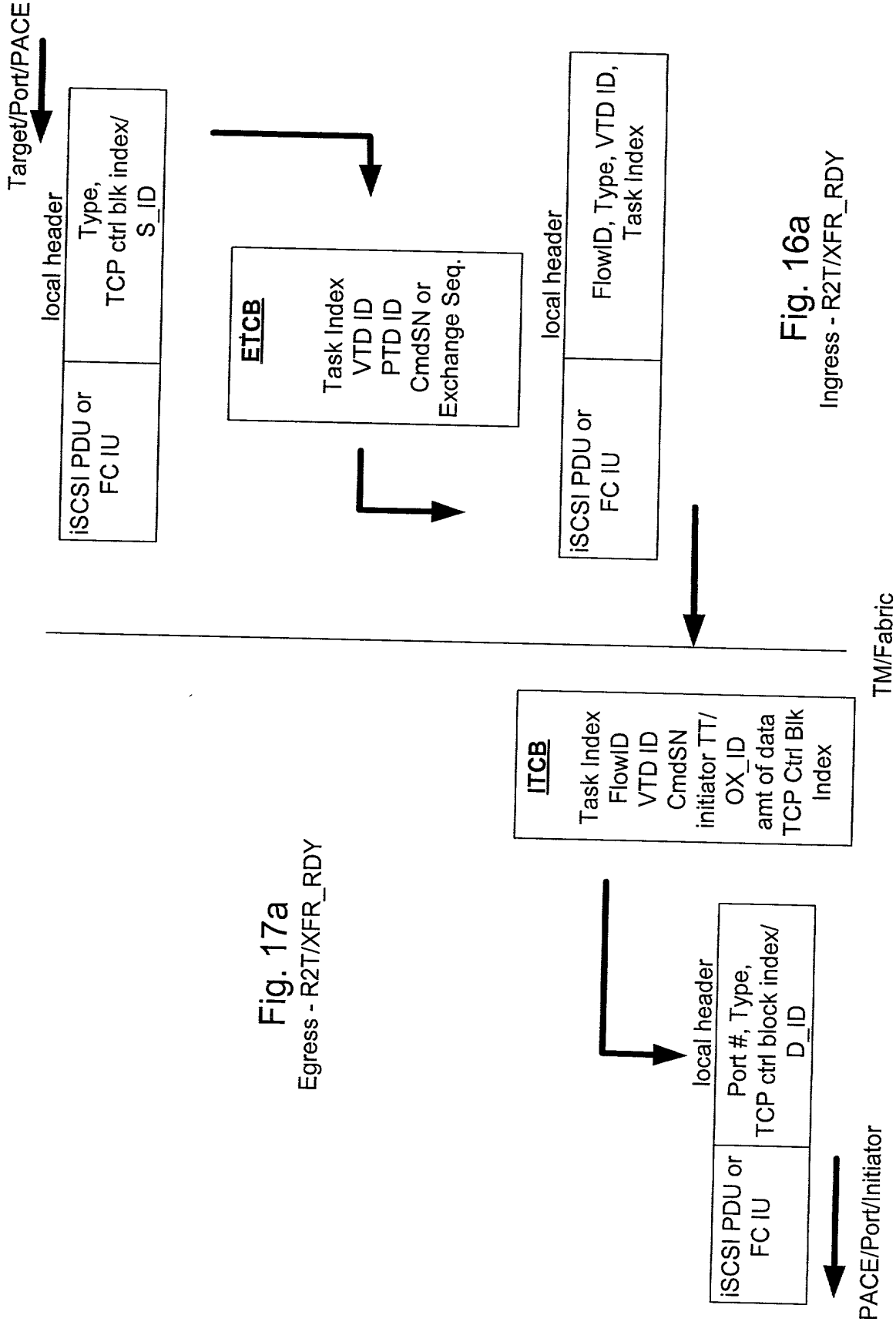


Fig. 16a
 Ingress - R2T/XFR_RDY

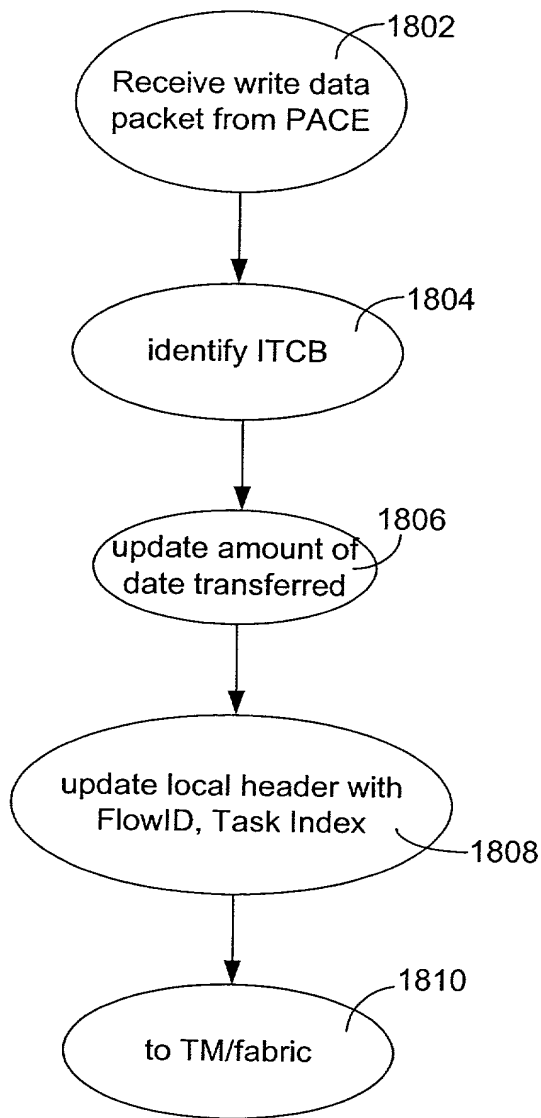


Fig. 18
(Virtualization - Ingress -
write data packet)

409445 01808

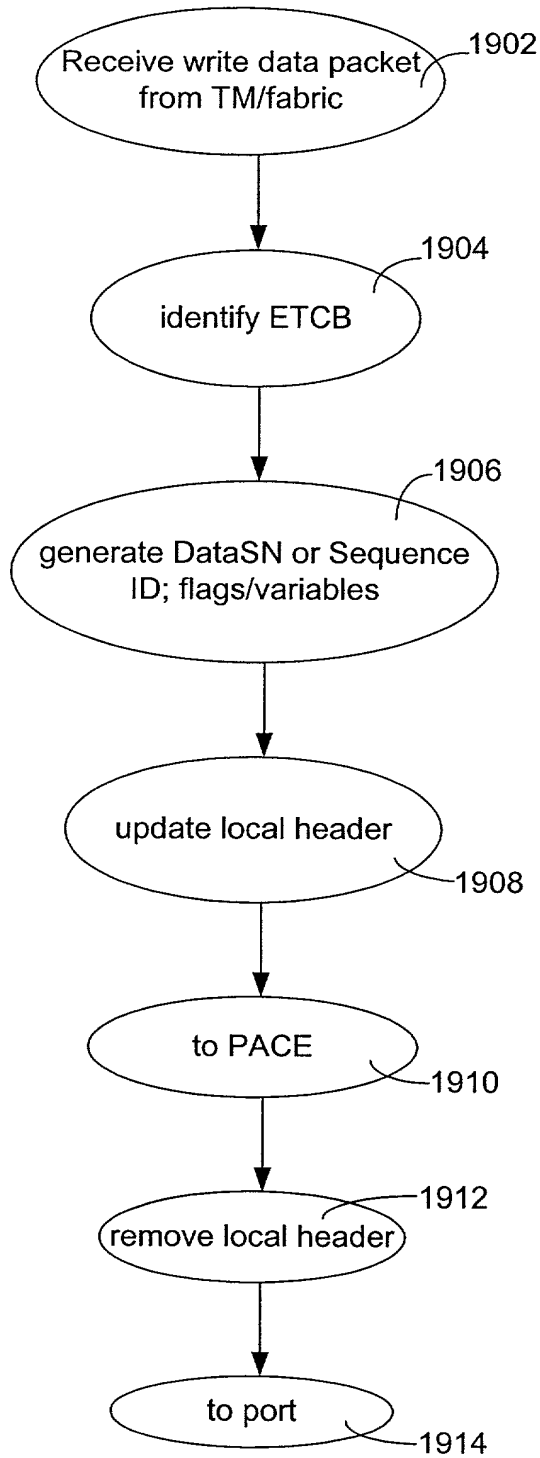
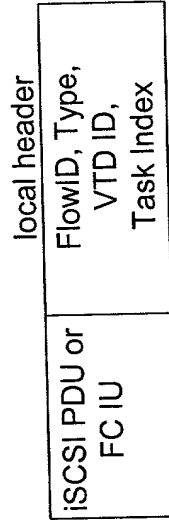
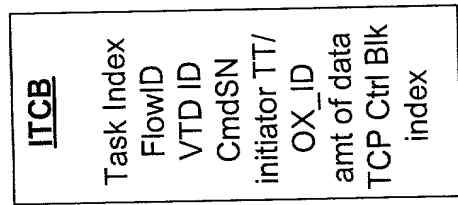
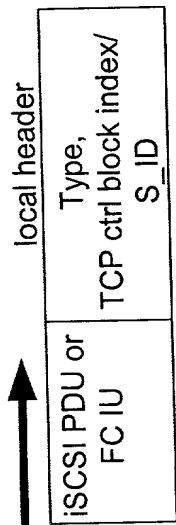


Fig. 19
(Virtualization - Egress - write data pkt)

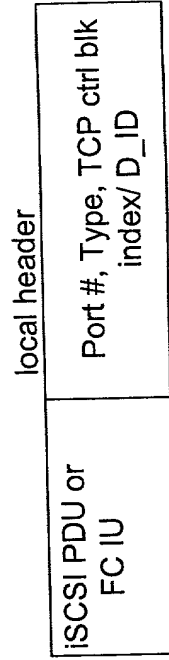
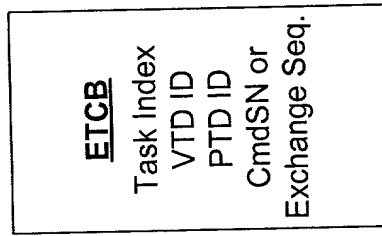
2025 RELEASE UNDER E.O. 14176

Initiator/Port/PACE



TM/Fabric

Fig. 19a
Egress - write data



PACE/Port/Target

Fig. 18a
Ingress - Write Data

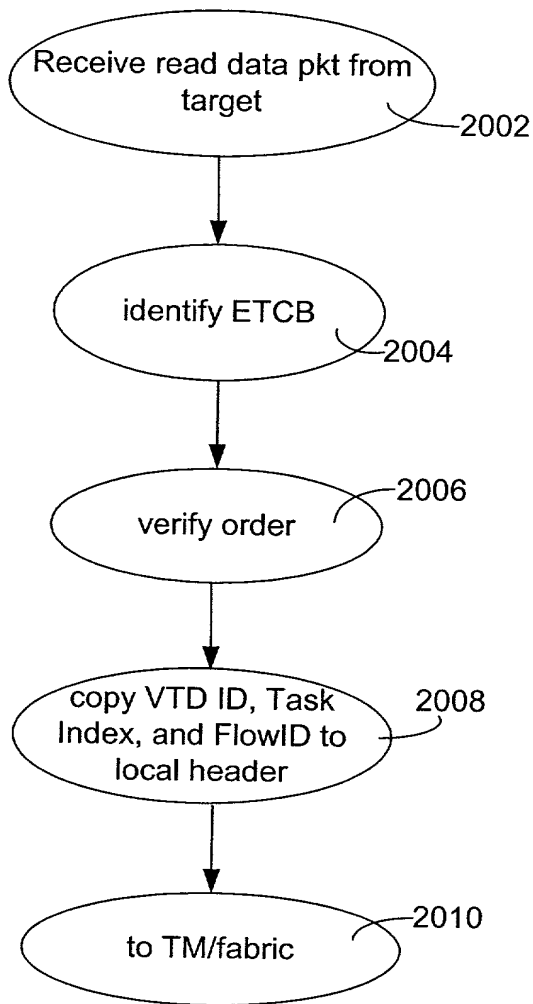


Fig. 20

(Virtualization - Ingress -
Read Data pkt)

2005446-01001

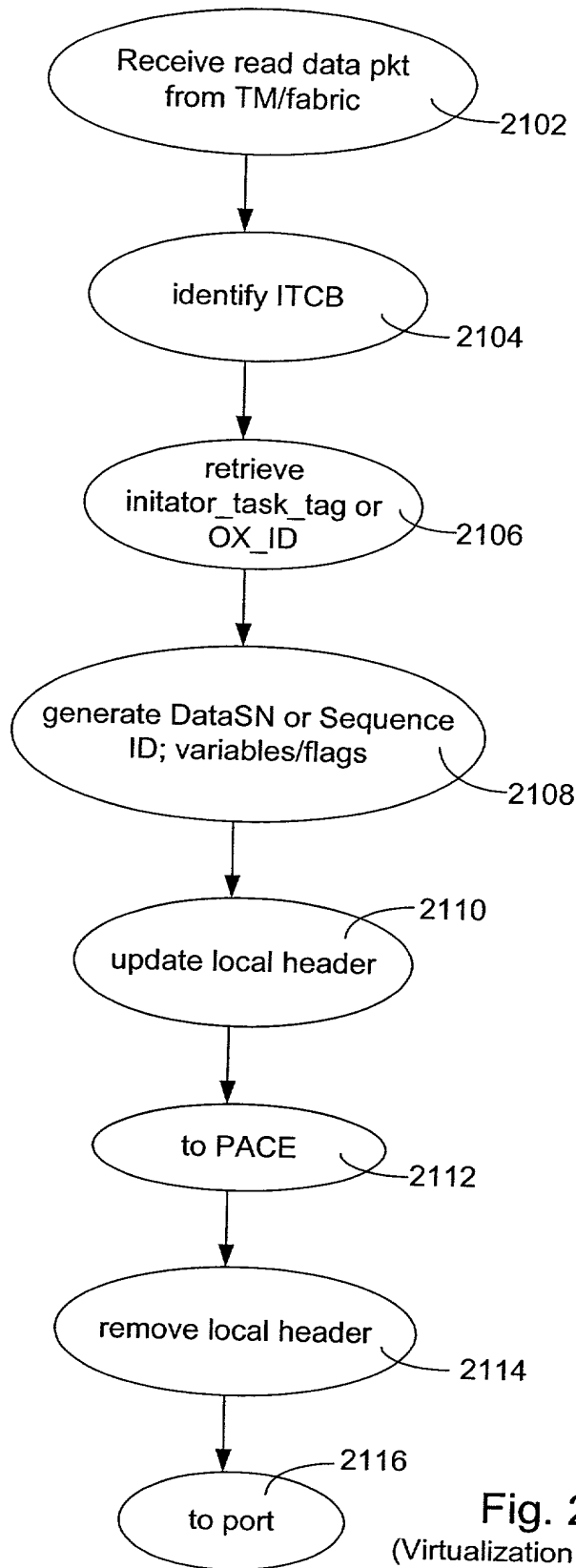


Fig. 21
(Virtualization - Egress-
Read Data pkt)

2025 RELEASE UNDER E.O. 14176

Fig. 21a
 Egress - Read Data

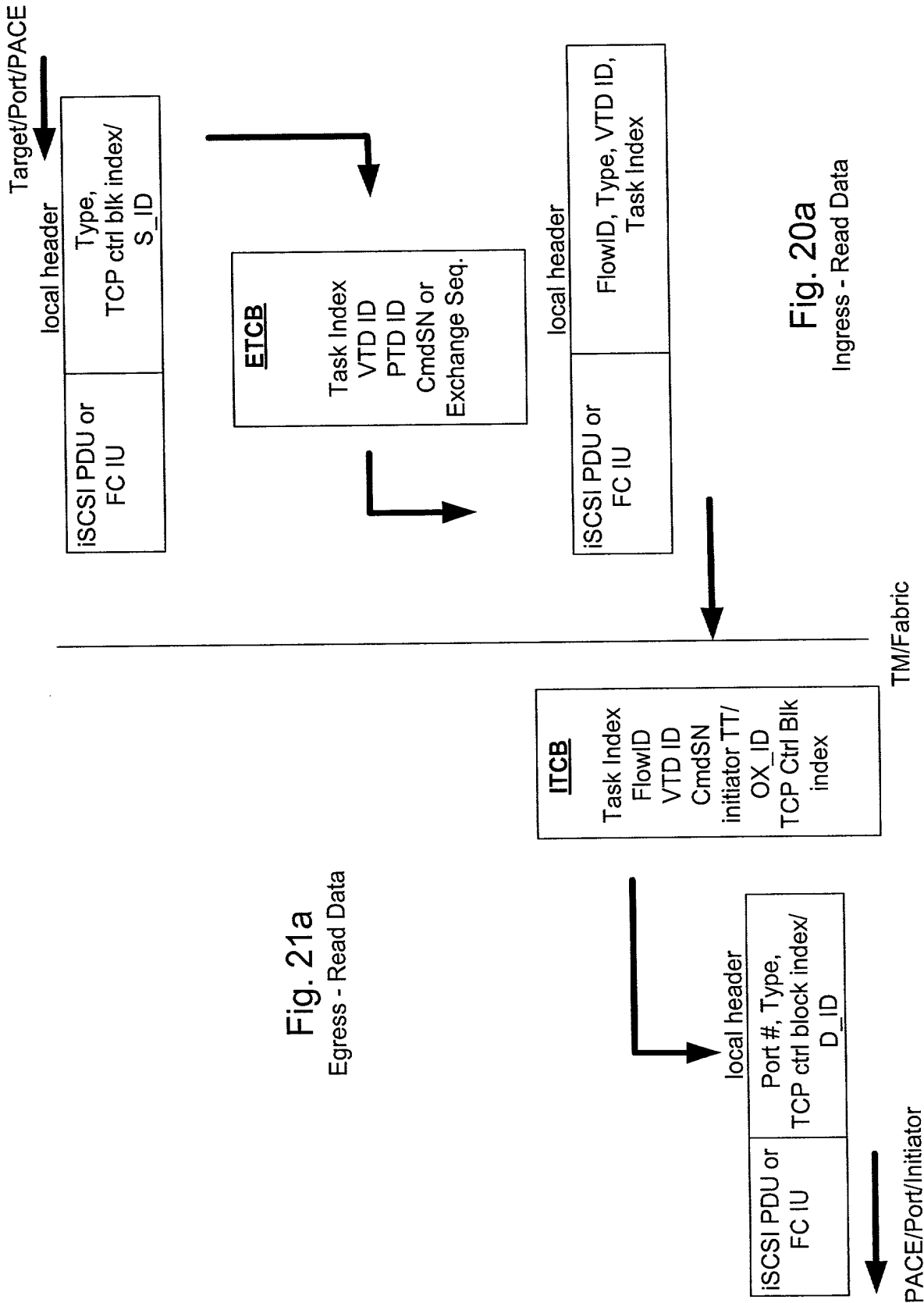


Fig. 20a
 Ingress - Read Data

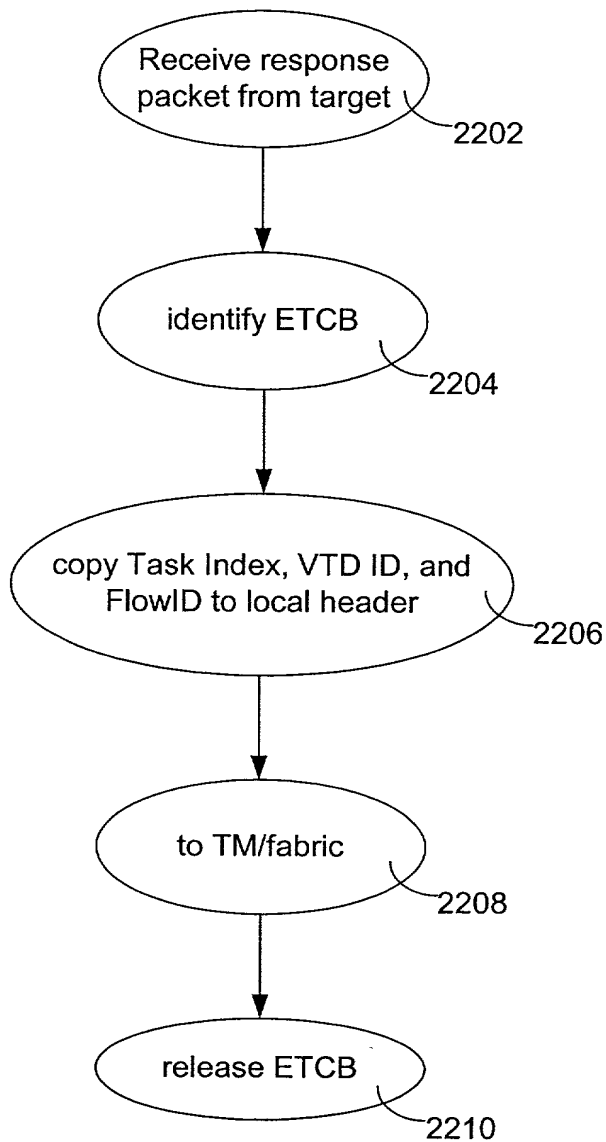


Fig. 22
(Virtualization - Ingress -
response pkt)

2025446-012002

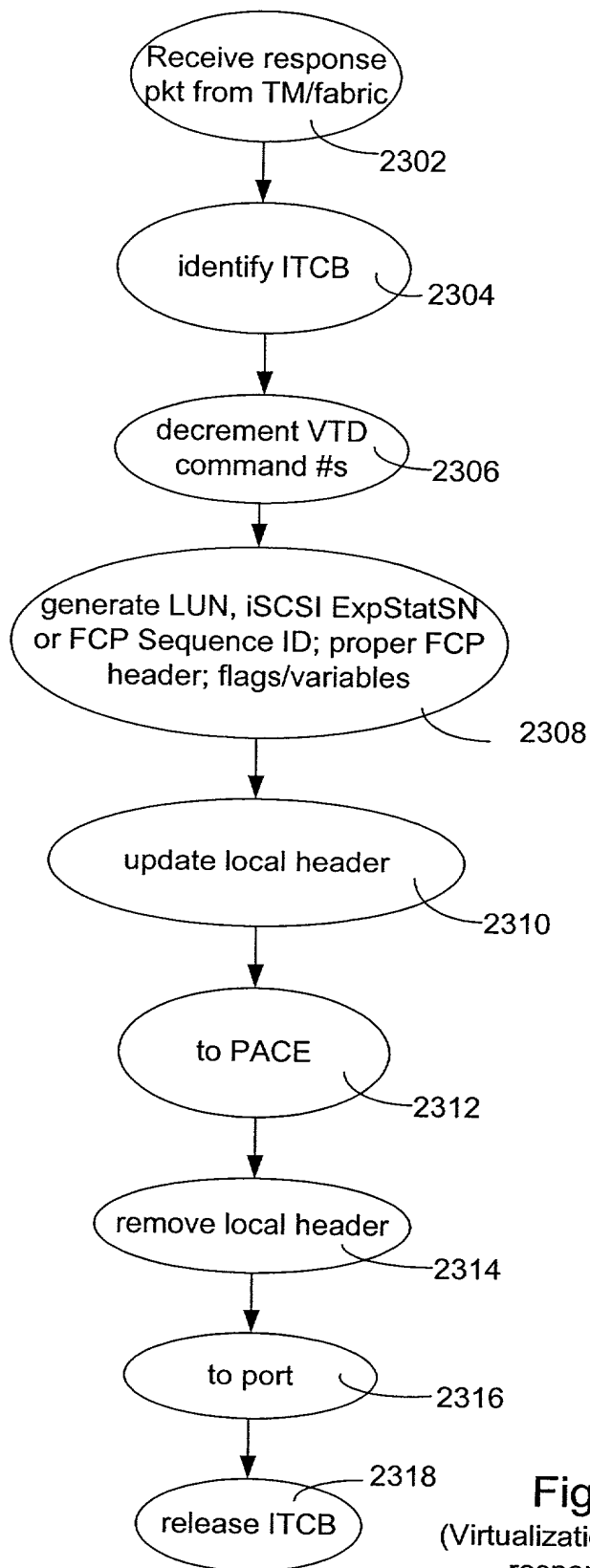


Fig. 23
(Virtualization - Egress - response pkt)

20251115 04:30:00

Fig. 23a
 Egress - Response

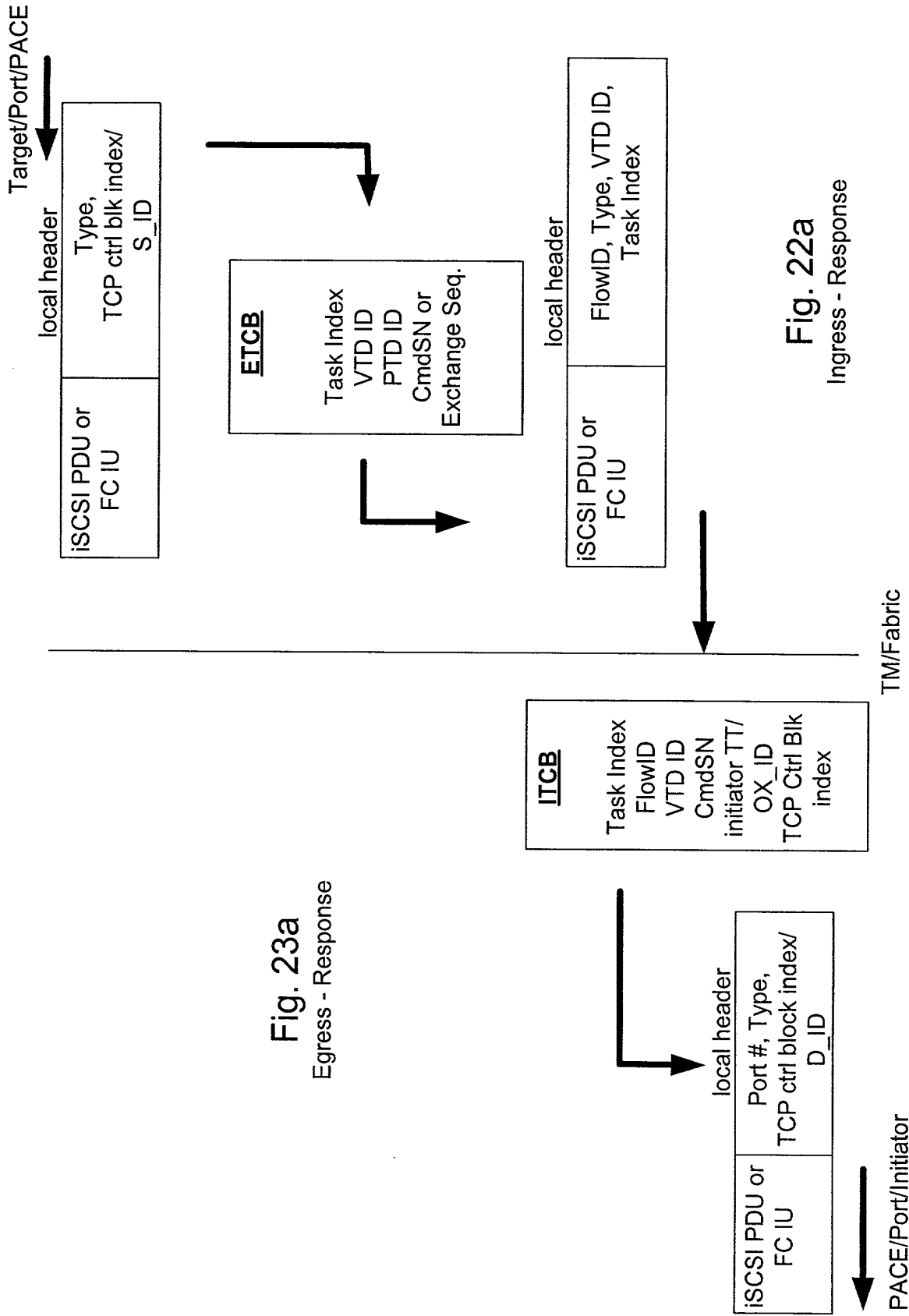
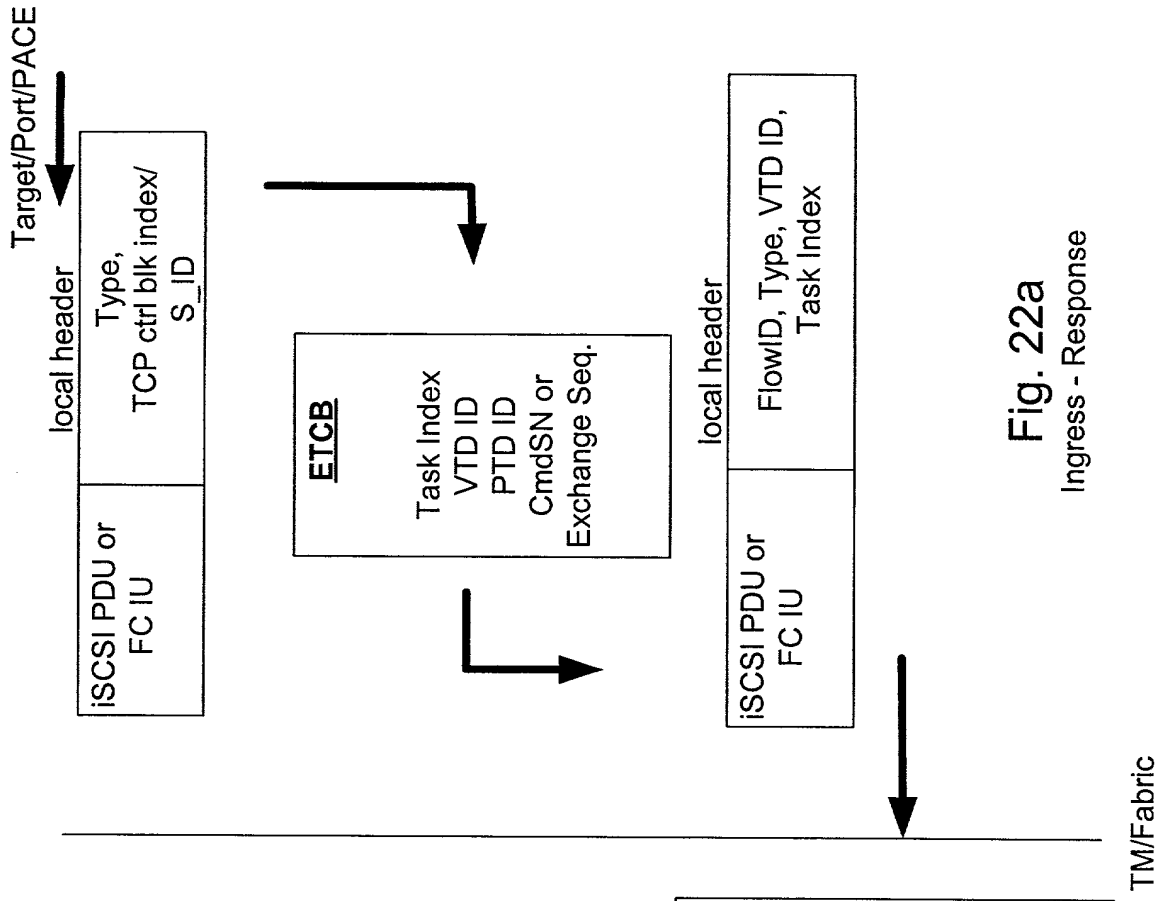


Fig. 22a
 Ingress - Response



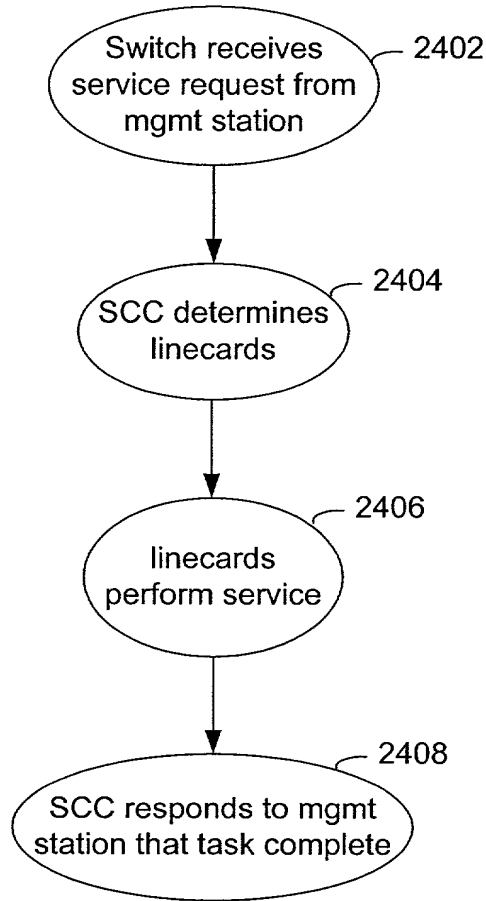


Fig.24

2025 RELEASE UNDER E.O. 14176

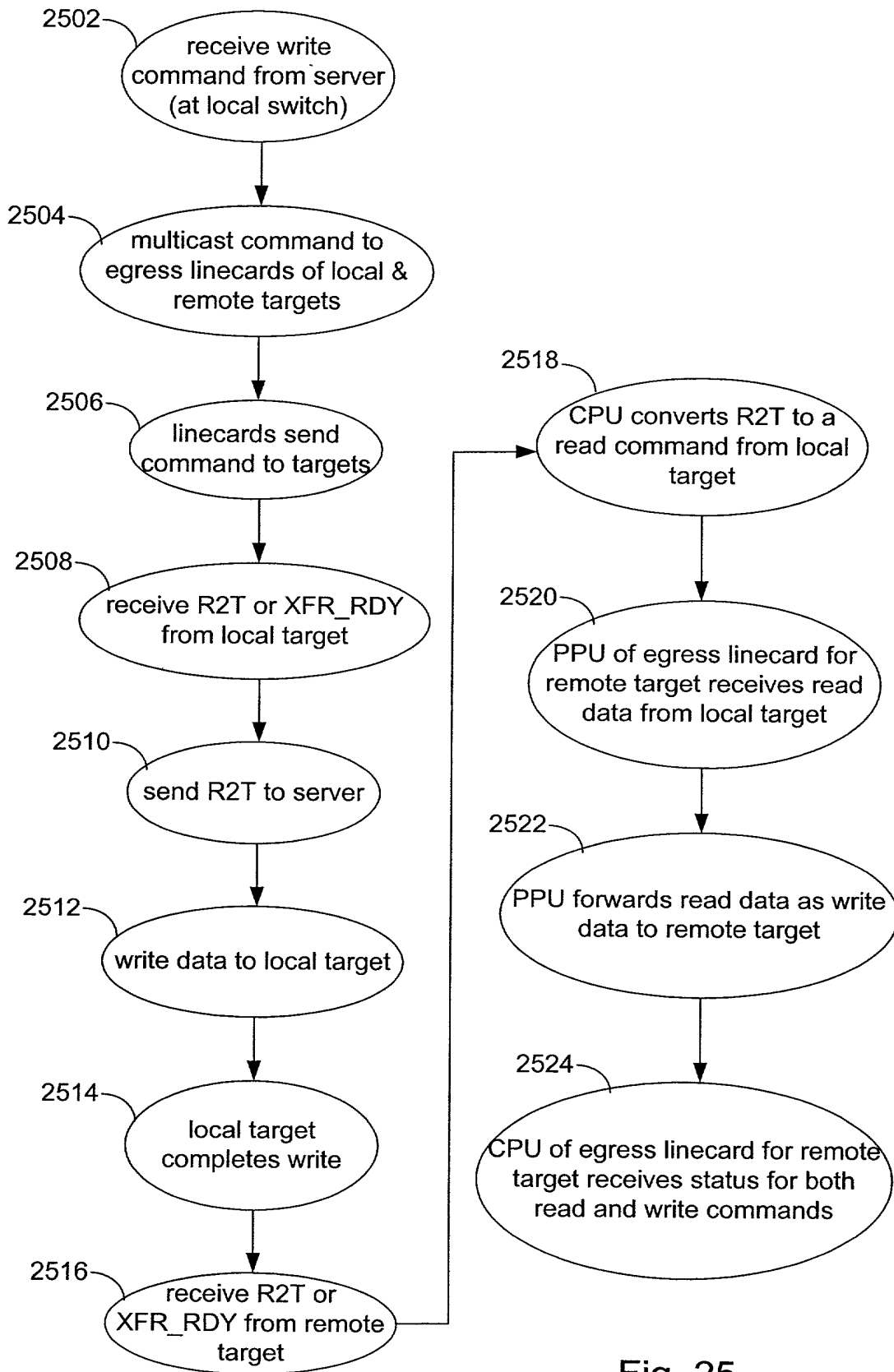


Fig. 25

2025 RELEASE UNDER E.O. 14176

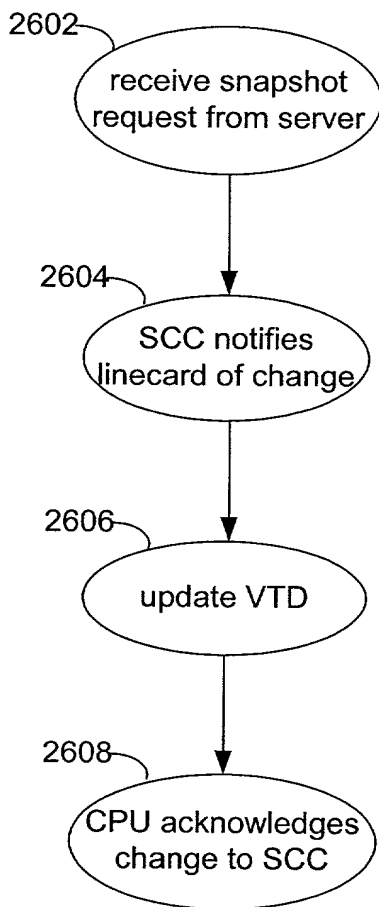
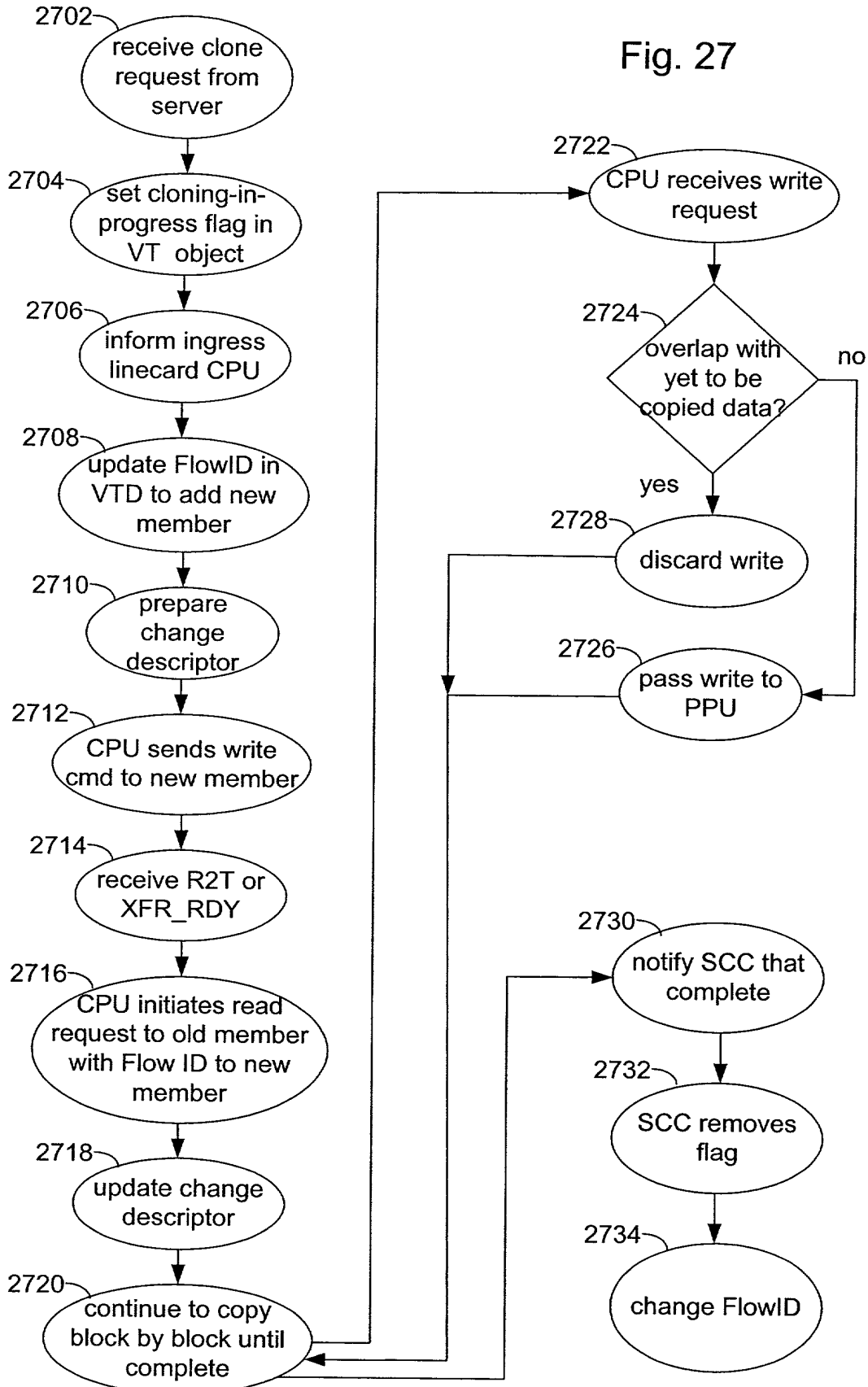


Fig. 26

1005445-01B002

Fig. 27



2025 RELEASE UNDER E.O. 14176

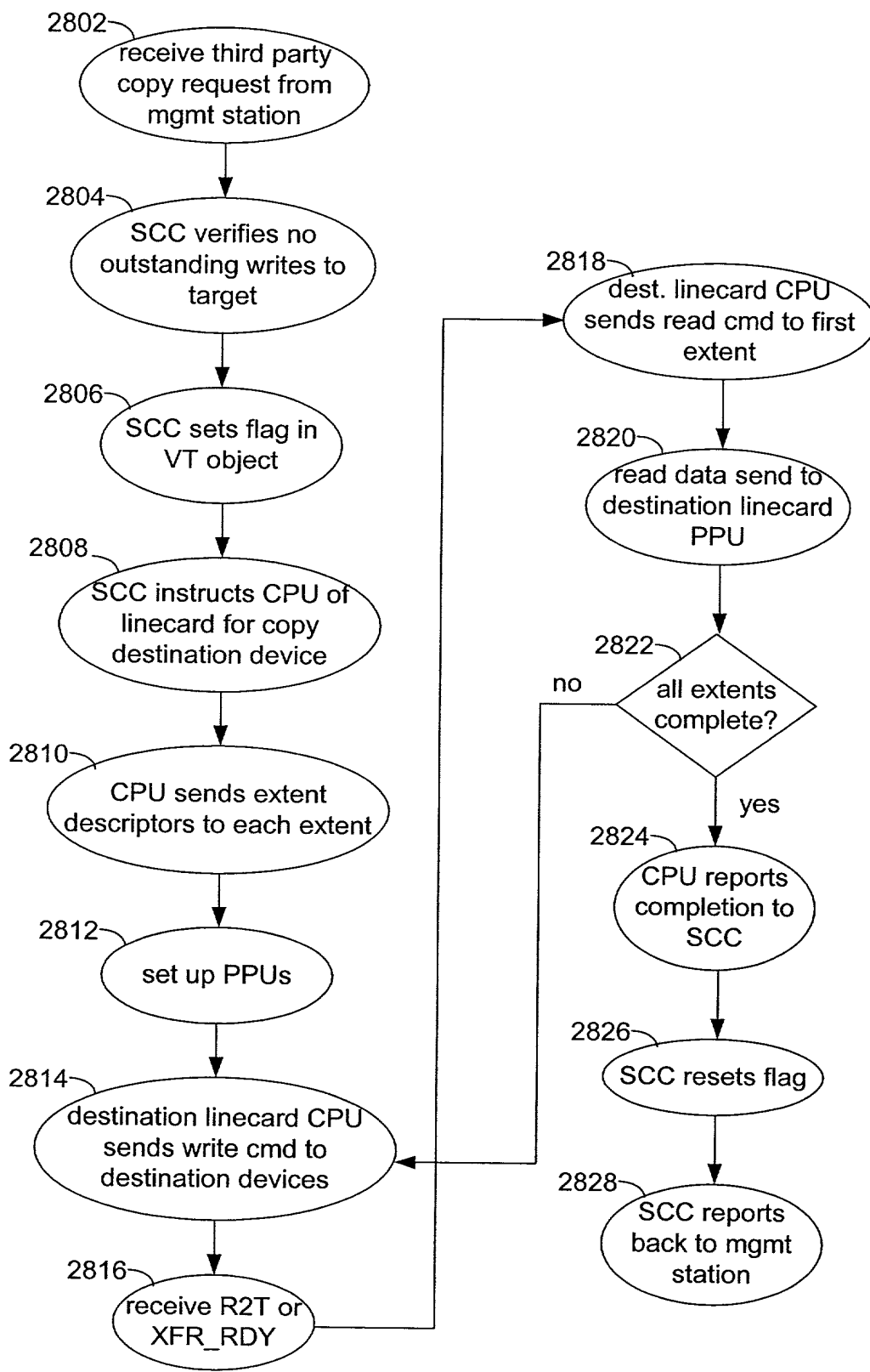


Fig. 28

2025 RELEASE UNDER E.O. 14176